

60" x 42" Octagon Tub Drop-In



FEATURES

- **2217**

63-1/2" x 41-1/2" x 21"

Available Colors: White, Bone

NOTES

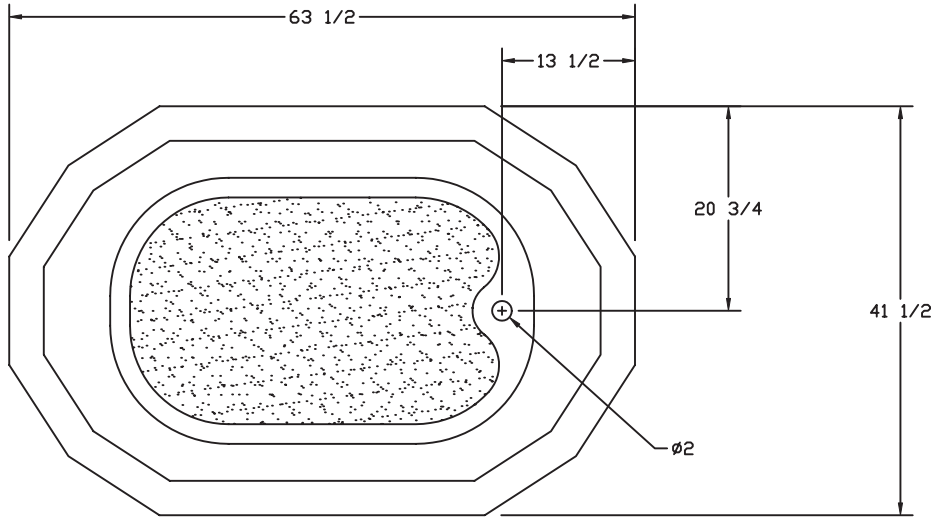
- Dimensions: 63-1/2" x 41-1/2" x 21" with flange
Certifications: ANSI Z124.2
- Illustrated installation instructions included.



60" x 42" Octagon Tub

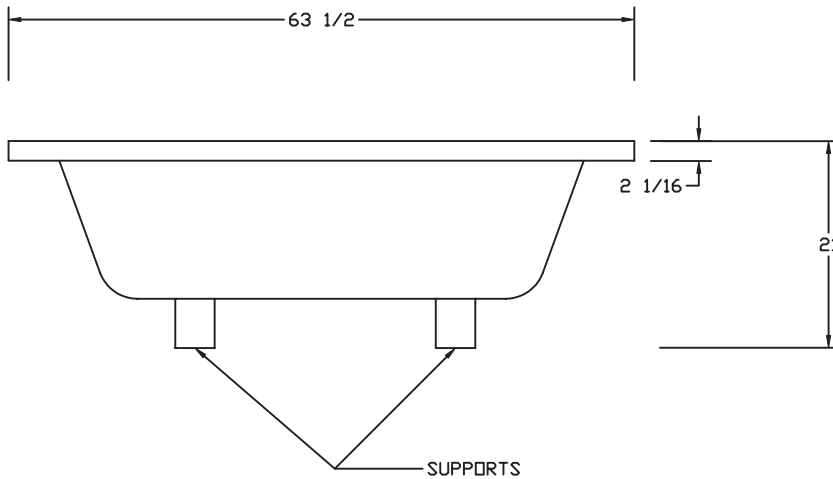
Drop-In

± 1/4" Variance



TOP VIEW

MODEL #: 2217 60X42 OCTAGON DROP-IN
 WIDTH O.D. 63 1/2"
 DEPTH O.D. 41 1/2"
 HEIGHT O.D. 21"
 DIMENSION TOLERANCE +/- 1/4"



SIDE VIEW