



**54" Corner Tub
(Skirted, Righ Hand Drain, with
Step and Access Panels)**

FEATURES

• **2222**

54-1/4" x 54-1/4" x 20-3/4"

Capacity to Overflow: 47

Total Capacity: 74

Available Colors: White, Bone

- Slip resistant floor
- Above Floor Rough-In
- Available in Whirlpool

This unit is made of sanitary grade high gloss polyester gelcoat with reinforced composite matrix.

NOTES

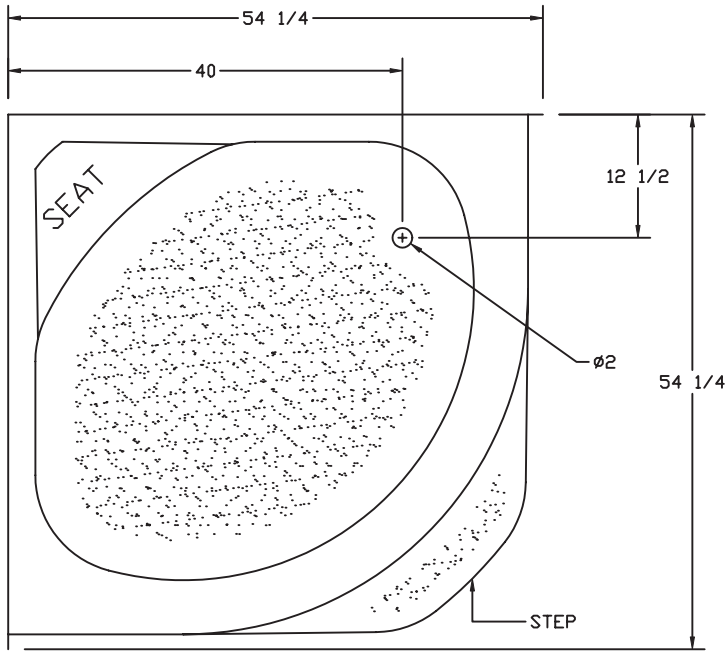
- Dimensions: 54-1/4" x 54-1/4" x 20-3/4" with flange
Certifications: ANSI Z124.2
- Illustrated installation instructions included.



54" Corner Tub

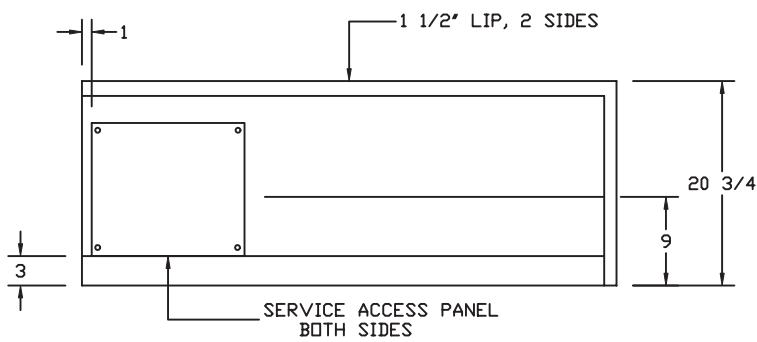
(Skirted, Right Handed Drain,
with Step and Access Panels)

± 1/4" Variance



TOP VIEW

MODEL #: 2222 54" CORNER TUB
WIDTH O.D. 54 1/4"
DEPTH O.D. 54 1/4"
HEIGHT O.D. 20 3/4"
DIMENSION TOLERANCE +/- 1/4"



SIDE VIEW