

**54" Tub/ Shower
(Smooth)
Rear Center Drain**

FEATURES

• **5100**

53-7/8" x 30" x 72-1/2"

Capacity to Overflow: 35

Total Capacity: 50

Available Colors: White, Bone

- Available with a Pre-Installed By Pass Shower Door.

NOTES

- Dimensions: 53-7/8" x 30" x 72-1/2" with flange
Certifications: ANSI Z124.2
- Illustrated installation instructions included.



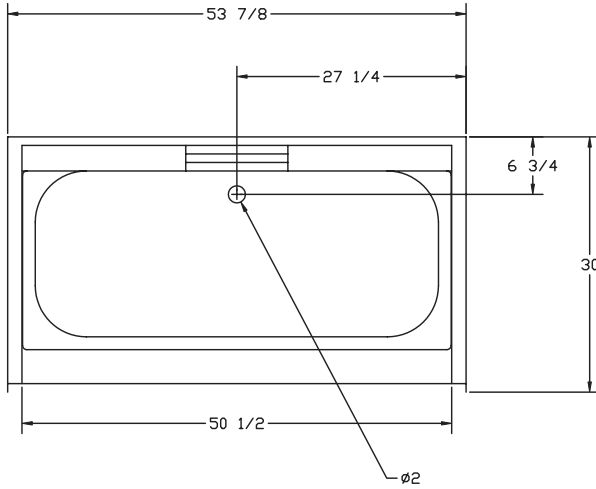
AVALON

5100

54" Tub/Shower

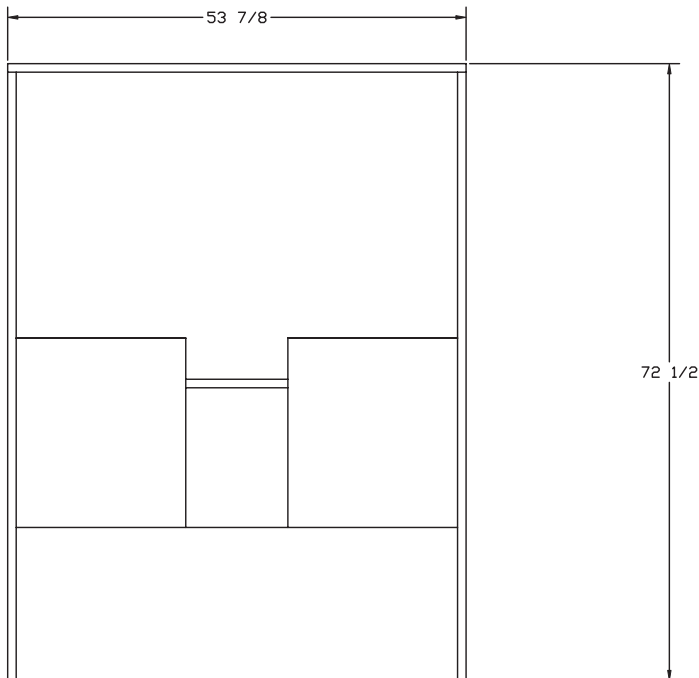
(Smooth) Rear Center Drain

$\pm 1/4"$ Variance



FLOOR PLAN

5100 54" T/S SMOOTH WALL
WIDTH O.D. 53 7/8"
DEPTH O.D. 30"
HEIGHT O.D. 72 1/2"
DOOR OPENING 50 1/2"
DIMENSION TOLERANCE +/- 1/4"



FRONT VEIW