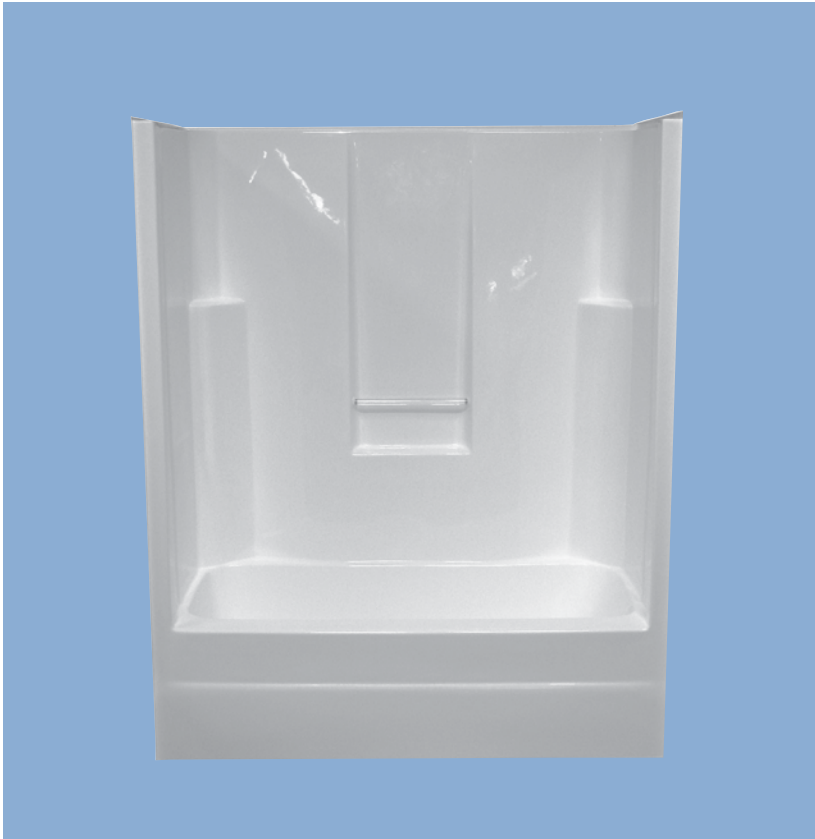


**60" Tub / Shower
(RH Drain / LH Drain)**



FEATURES

- **5101 / 5102**

59-3/4" x 33-3/4" x 73-1/2"

Capacity to Overflow: 35

Total Capacity: 48

Available Colors: White, Bone

- Available with a Pre-Installed
By Pass Shower Door

NOTES

- Dimensions: 59-3/4" x 33-3/4" x 73-1/2" with flange
Certifications: ANSI Z124.2
- Illustrated installation instructions included.



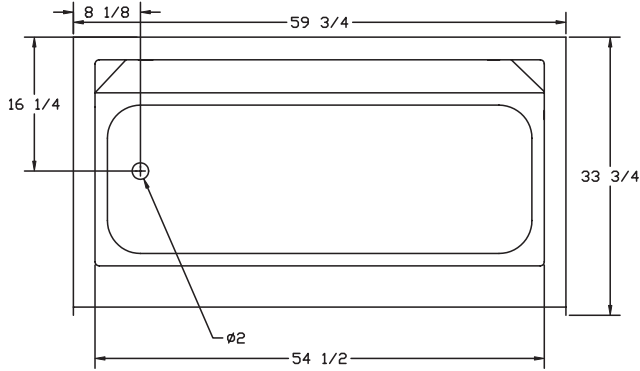
WINDSOR

5101R
5102L

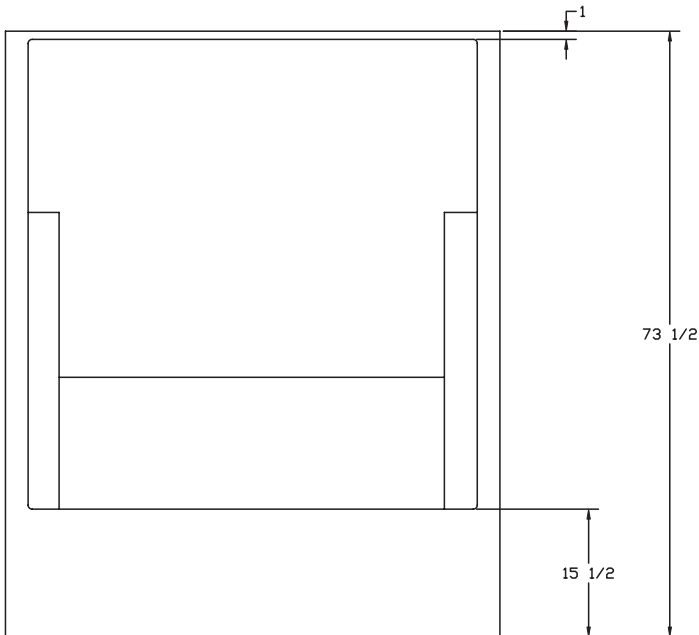
60" Tub / Shower

(RH Drain / LH Drain)

± 1/4" Variance



FLOOR PLAN



FRONT VEIW

MODEL: 5102-T/S LH DRAIN
WIDTH O.D. 59 3/4"
DEPTH O.D. 33 3/4"
HEIGHT O.D. 73 1/2"
DOOR OPENING 54 1/2"
DIMENSION TOLERANCE +/- 1/4"