

### **60" Two Piece Shower Above The Floor Rough-In Center Drain**

*High Gloss Gelcoat Finish*

## FEATURES

- **86036 Saban**

*59-3/4" x 35" x 80-1/2" (nominal outside)*

- *Two piece construction*
- *Above floor rough-in*
- *Two seats*
- *Slip resistant floor*

*The unit is made of sanitary grade high gloss polyester gelcoat with reinforced composite matrix.*

## NOTES

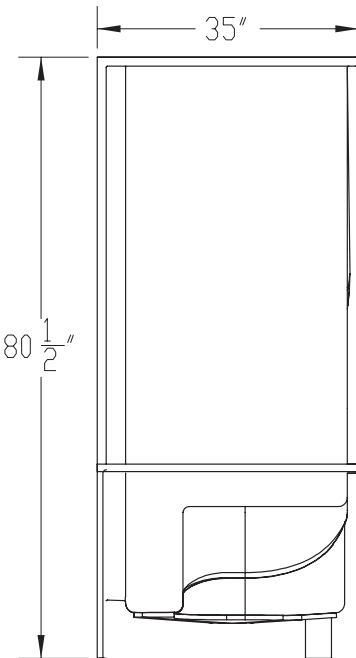
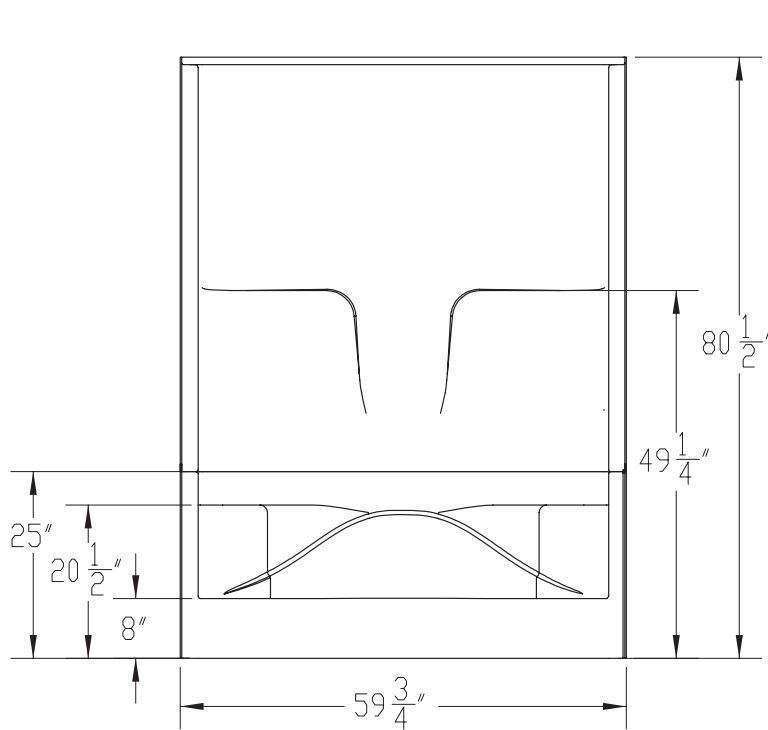
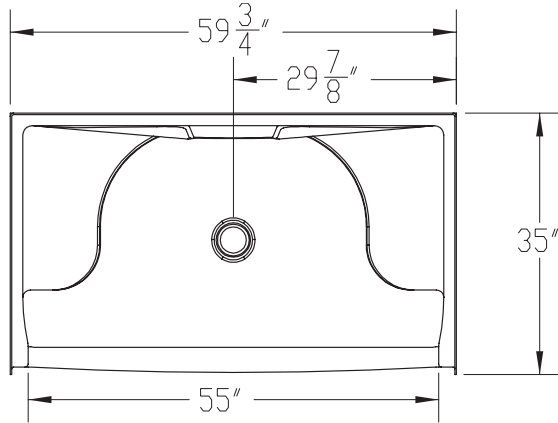
- *Dimensions: 59-3/4" x 35" x 80-1/2" with flange*  
*Shipping Weight: 140 lbs.*  
*Certifications: ANSI Z124.2; NAHB*
- *Installation instructions included.*



# SABAN

86036

**60" Two Piece Shower**  
**Above The Floor Rough-In**  
**Center Drain**  
*High Gloss Gelcoat Finish*



**IMPORTANT:** Roughing-in dimensions may vary  $\frac{1}{2}"$  and are subject to change or cancellation without prior notice. No responsibility is assumed for use of superseded or voided leaflets.