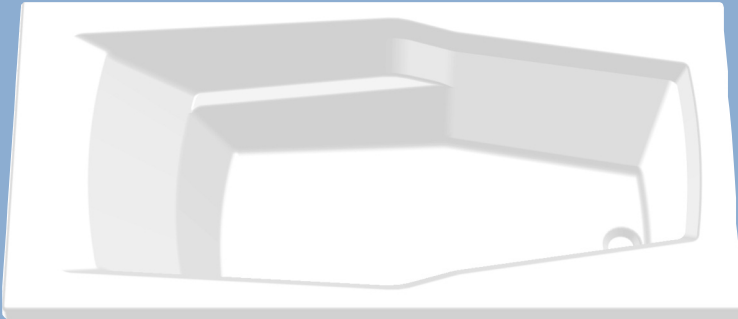


MOLLY

2236

72 x 36"
Drop-In Tub
High Gloss Gelcoat Finish



FEATURES

- **2236 Molly**

72" x 36" x 23-1/4" (nominal outside)

- *One piece construction*
- *Slip resistant floor*

The unit is made of sanitary grade high gloss polyester gelcoat with reinforced composite matrix.

NOTES

- *Dimensions: 72" x 36" x 23-1/4" with flange*
Shipping Weight: 98 lbs.
Certifications: ANSI Z124.2; NAHB
- *Installation instructions included.*



BAYMONT
 B A T H W A R E



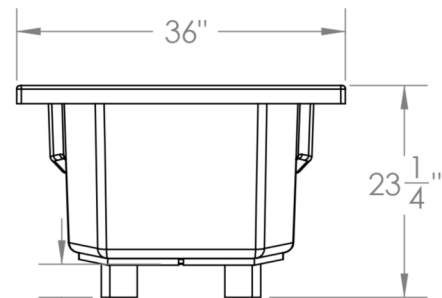
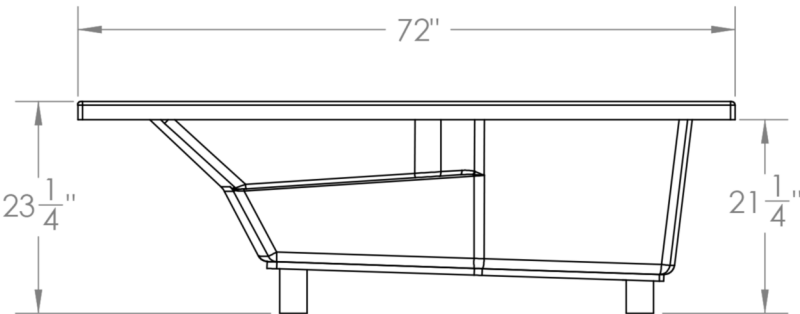
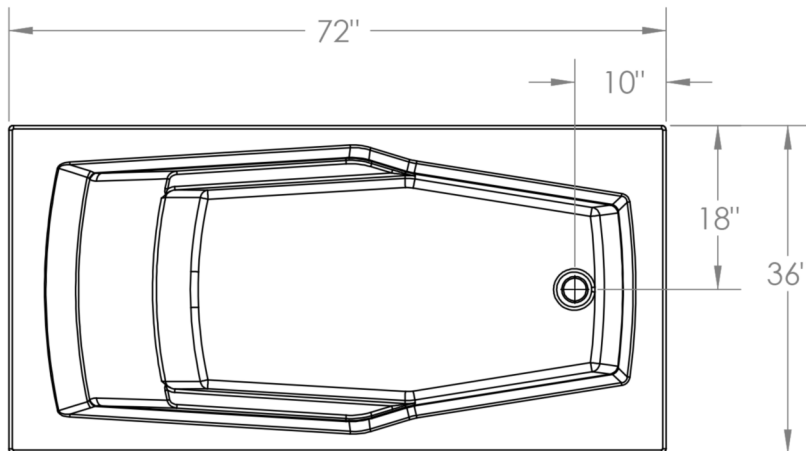
MOLLY

72 x 36"

Drop-In Tub

High Gloss Gelcoat Finish

2236



3 1/2"
DRAIN
HEIGHT

IMPORTANT: Roughing-in dimensions may vary 1/2" and are subject to change or cancellation without prior notice. No responsibility is assumed for use of superseded or voided leaflets.

